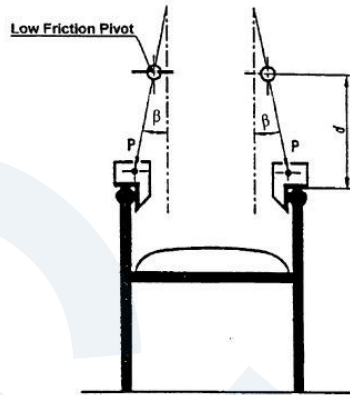


## Product Presentation



## Application

The tester tests the strength and durability of the handrails, seats, or other parts by simulating the loading of the seats during routine use.

The machine is equipped with two drive units, and can be individually controlled to repeatedly load the test points of the seat. Through different parameter settings, the machine can complete the

following types of test functions on the seat:

1. Armrests Vertical static load test;
2. 10o angle handrail durability test;
3. Seat front edge static load and durability tests;
4. Vertical static load test on backrests;
5. Foot rest static load and durability testing;
6. Leg rest static load test;
7. Armrest upward static load test(need to tie the weight test);
8. WordPad vertical static load and durability test.
9. Additional seating and leg static load test for the reclining chair
10. Recliner chair additional seat surface durability test



## Feature

1. The main body size of the machine has increased a lot and can be applied to the relevant test of the recliner.
2. The main structure of the machine is made of aluminum, beautiful and easy to maintain.
3. Servo motor drive, test load control more accurate, and the noise is even smaller.
4. Using PLC touch screen control, operation more convenient.
5. In addition, the machine loading device using electric control movements, more extensive test space.



## Standards

EN 1728-2012 Section 6.6,6.8, 6.9, 6.11, 6.12, 6.13,6.14, 6.18,6.20, 6.21 ,6.22, 7.4, 7.5, 7.6, 7.8, 7.10 , 7.12, 8.3, 8.4.2, 8.6, 8.7

EN1335-3 -2009 Section 7.2.1, 7.2.3, 7.2.4, 7.2.6, 7.3.2,7.3.4,

EN 1729-2-2012 Section 5.3.4, 5.3.9,5.3.11, 5.3.12

EN581-2-2015 (corresponding with EN1728-2012),

ISO 7173-1989 Section 7.1, 7.4

GB/T 10357.3 Section 4.3.3, 4.4, 4.6, 4.9,

BIFMA X5.1 - 2011 Section 21, (11.4,19, 20, 23,24 Load pad(optional accessory) is required)

EN 16139-2013 (corresponding with EN1728-2012)

## Key Specification

Model	GT-LB03L
Load capacity	2000N
Force device stroke	0-80cm
Stroke range	60-160cm
Load Angle	0~10° (The angle to the vertical is adjustable)
Test speed	5~40 times/min
Testing time	0-99999 (can be adjustment)
Control method	PLC control
Dimension (WxDxH)	240×200×190cm
Weight	500kg
Power	1 φ , AC 220V 50Hz



## Accessories

Standard Accessories	1 pc	GT-LB01-2A Seat loading pad
	2 pcs	GT-LB01-3 Smaller seat loading pad
	2 pcs	GT-LB01-5 Local loading pad
	2 pcs	Arm rest loading pad
	1 pc	Stationary fixture
	2 pcs	Stops
Optional Accessories	1 pc	GT-LB01-1A Loading point template
	2 pcs	GT-LB01-8 203mm loading pad ( BIFMA X5.1-11.4, 23,24)
	2 pcs	GT-LB01-9 BIFMA102&50mm loading pad( BIFMA X5.1-19,20)

